

FEDERATION CYNOLOGIQUE INTERNATIONALE (AISBL)

Place Albert 1^{er}, 13, B – 6530 Thuin (Belgique), tel : +32.71.59.12.38, Internet : <https://www.fci.be>

HOOPERS OBSTACLE GUIDELINES

FEDERATION CYNOLOGIQUE INTERNATIONALE



Table of Contents

1. INTRODUCTION	2
2. SAFETY OF THE OBSTACLES	2
3. HOOP	3
4. BARREL	4
5. GATE	5
6. CHUTE (TUNNEL)	7
7. HANDLING AREA	8
8. NUMBERS USED ON THE COURSE	8

1. Introduction

This document is meant to help people in FCI member countries, who work with hoopers obstacles, to come to the same understanding and interpretation of the rules.

The Guidelines do not intend to change existing rules or to be in contradiction with them, but they should help to clarify the gaps in interpretation left by the wording and/or drawings in the rules.

The English text of the latest version of these Guidelines is always the definitive reference. Different interpretations can be caused by the translation into different languages.

The Guidelines are reviewed at 2.5-year intervals: one linked to the 5-yearly reviews of the FCI Hoopers Rules, and one intermediate review. Proposals for change should be sent in according to the schedule confirmed by the FCI Hoopers Commission. The latest version of the Guidelines should always be used as reference.

It is not up to these Guidelines to prescribe specific solutions or to regulate every design detail, material, surface, etc. There should be enough room left for innovative and creative solutions.

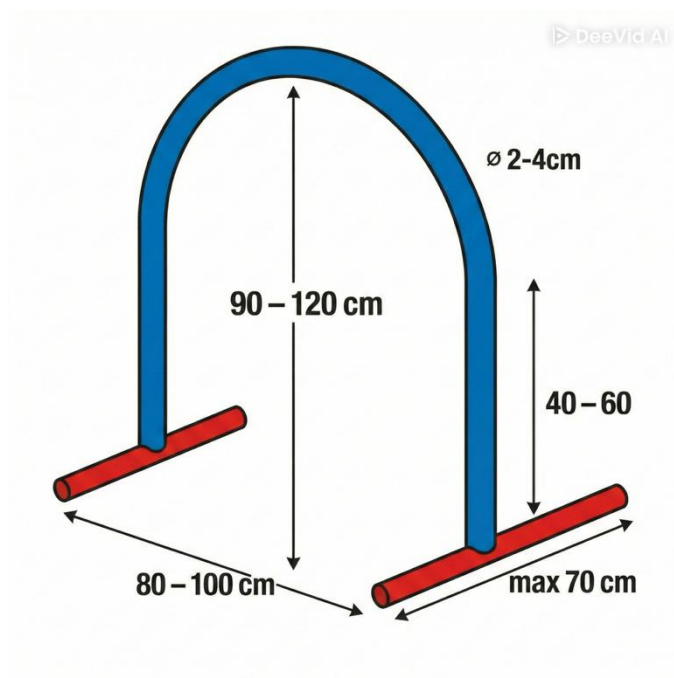
It is recommended that FCI member countries apply the Obstacle Guidelines and implement them in national hoopers events.

2. Safety of the obstacles

- a. The responsibility for the welfare and safety of the dog always lies with the owner/handler of the dog. The risk of accidents or injuries can only be reduced but never completely eliminated.
- b. The hoopers obstacles must be usable in all conditions (temperatures, wind, rain) for which they are designed. No part of any obstacle should be dangerous for a dog to walk past or through it. Sharp edges are not allowed. If hollow parts are used, all openings must be closed.
- c. No obstacle should have protruding parts which could snag a dog
- d. It is essential to optimize the visibility of the obstacles. Any attachment of the obstacle should not pose any danger to the handler or the dog.

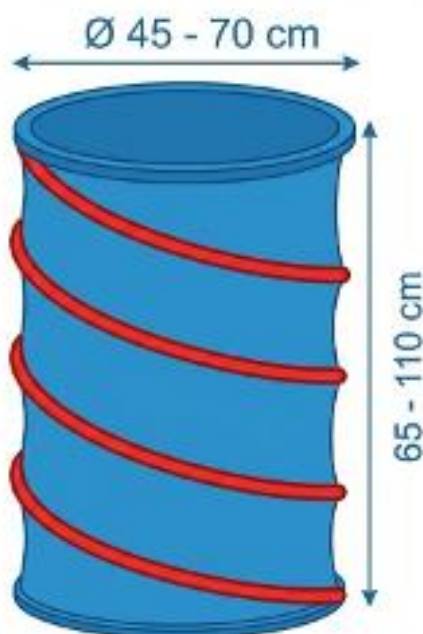
3. Hoop

Parts	Requirements
Height	90 – 120 cm
Width	80 – 100 cm
Frame and arch thickness	2 – 4 cm
Height of the frame pole	40 – 60 cm
Length of the support leg	On one side or both sides, the maximum length is 70 cm in total
Material	Plastic or aluminium
Miscellaneous	<p>Colour needs to be in contrast with the environment.</p> <p>All hoops used in a course must be of the same style.</p> <p>A crossbar is not allowed.</p> <p>It is not allowed to anchor the hoop to the ground, however, small sandbags may be used to provide stability, if weather conditions require.</p> <p>No sharp edges are allowed. Legs have to be round or flat. All holes have to be closed.</p>



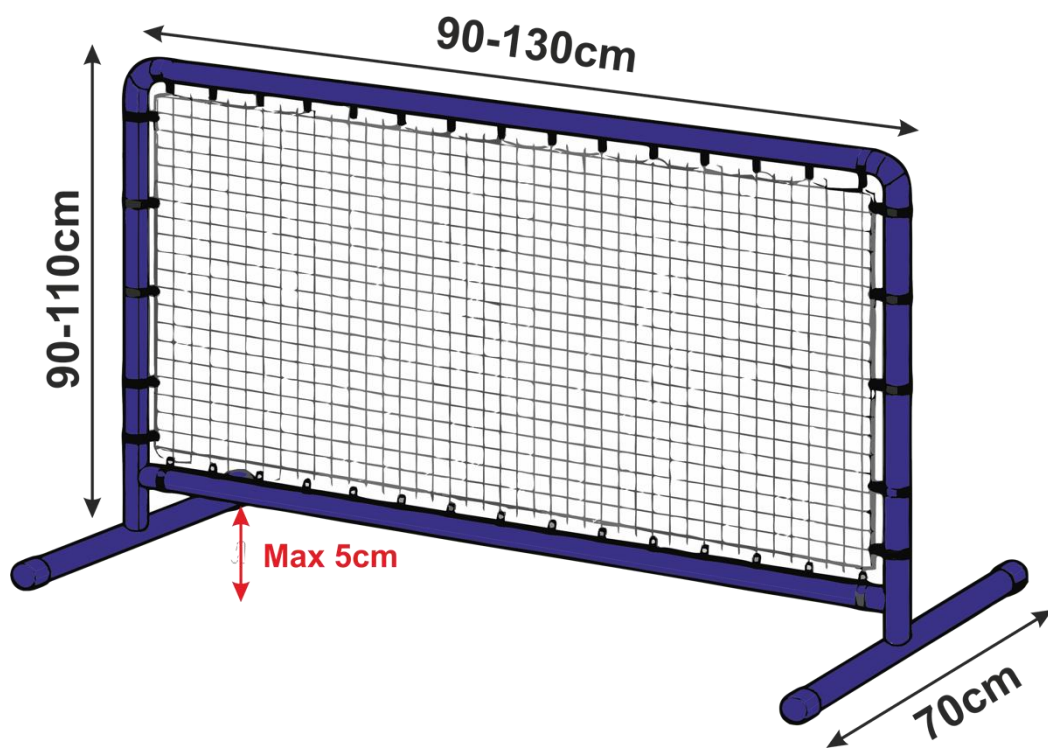
4. Barrel

Parts	Requirements
Height	65 – 110 cm
Diameter	45 – 70 cm
Weights	The barrel should be weighed down using weights inside the barrel that have no sharp edges and must be flexible but provide sufficient stability for the barrels so that they don't move even if touched by the dog.
Material	Barrels can be made of a solid plastic material or from a flexible material but should be made of dimensionally stable material.
Miscellaneous	All barrels used in a course must be of the same style. If a barrel has a base colour that is not easily visible to dogs, contrast stripes must be applied. It is not allowed to fix a barrel in place, because of safety reasons. The barrel must be closed on all sides.



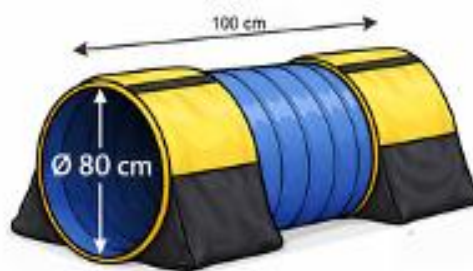
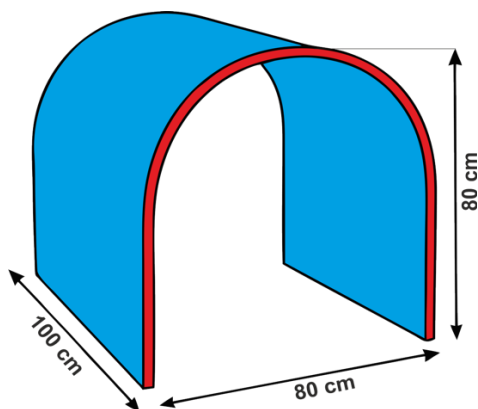
5. Gate

Parts	Requirements
Height	90 – 110 cm
Width	90 – 130 cm
Gap from frame to ground or net	0 – 5 cm
Length of the support leg	On one side or both sides, the maximum length is 70 cm in total
Thickness of the frame and arch	2 – 4 cm
Network mesh size	Max 5 x 5 cm
Material of the frame	Lightweight, shatter proof
Material of the net	<p>Net or a partially see-through tarpaulin.</p> <p>A gate must have a structure that allows some sort of visual contact with the handler and must be designed in a way that no dog can run through it.</p>
Miscellaneous	<p>Small sandbags may be used to provide stability, if weather conditions require.</p> <p>To prevent injuries, no parts should come loose when a dog collides with the gate.</p> <p>Gates must be set up to be tip-proof, equipped with supports on one or both sides at the bottom. These supports must be designed to ensure a stable stand. Supports that are shortened or angled to match the expected path of the dog are permitted.</p> <p>All gates used in a course must be of the same style.</p>



6. Chute (tunnel)

Parts	Requirements
Height	80 cm
Width	80 cm
Length	100 cm
Material	Flexible
Miscellaneous	<p>Tunnels are allowed to be used until the end of 2029.</p> <p>It is not allowed to mix chutes and tunnels in a course.</p> <p>Colours that are easily visible for the dog should be chosen.</p> <p>No frame in the running line of the dog is allowed.</p> <p>When needed, sand or water filled bags can be used to weigh down the chute or tunnel. The outer edge of the weight must not have handles or any other parts that could be dangerous to the dog.</p>



7. Handling area

Parts	Requirements
Shape	Circular or square
Size	Square: 2 x 2 meters Circular: 2 meters diameter
Material for the edges	Hose pipe 2 – 7 cm diameter Band or tape 5 – 8 cm width
Miscellaneous	No sharp edges may be used to mark the external side the HA. The colour of the handling area material must clearly contrast with the ground so that the judge or judge's assistant can easily determine if the handler is within the handling area or has stepped outside.

8. Numbers used on the course

Parts	Requirements
Type	Boards, cones, clips
Material	Plastic, PVC, aluminium Material must be shatter-proof without any sharp edges.
Miscellaneous	Numbers should preferably be written on both sides of the sign. The use of clips to attach the numbers to the obstacles is recommended. Must be clearly visible from the handling area. Numberplates placed on the ground must be placed outside of the running line of the dog.

This document was approved by the FCI General Committee on March 18, 2026, by email. It becomes effective from the date of its publication.